

**EN** English

# V-Mount Adaptor Plate



# UNIX



# HECBOX

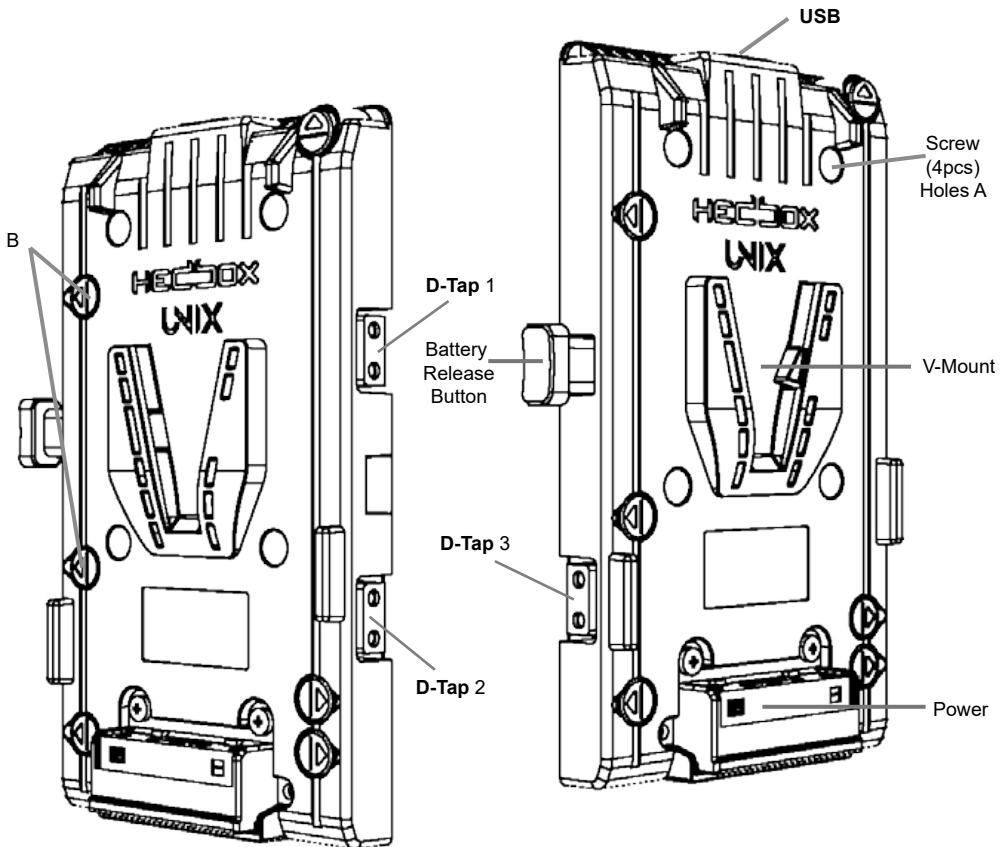
---

User Manual

**OVERVIEW**

Before operating the unit, please read this manual thoroughly and save it for future reference.

The HEDBOX UNIX Cine Professional V-Mount Battery Power Plate, is the right choice for professional video and photo users. Using high quality materials and strong durable production, it represents the top line of Cine products. With 3 x D-tap 14.8V / 10A DC and 1 x USB 5V / 2.1A DC power out it can be used as the professional V-lock adapter power plate for all 14.8V V-lock pro battery packs. It easily converts any professional camera or camcorder to a V-Mount.

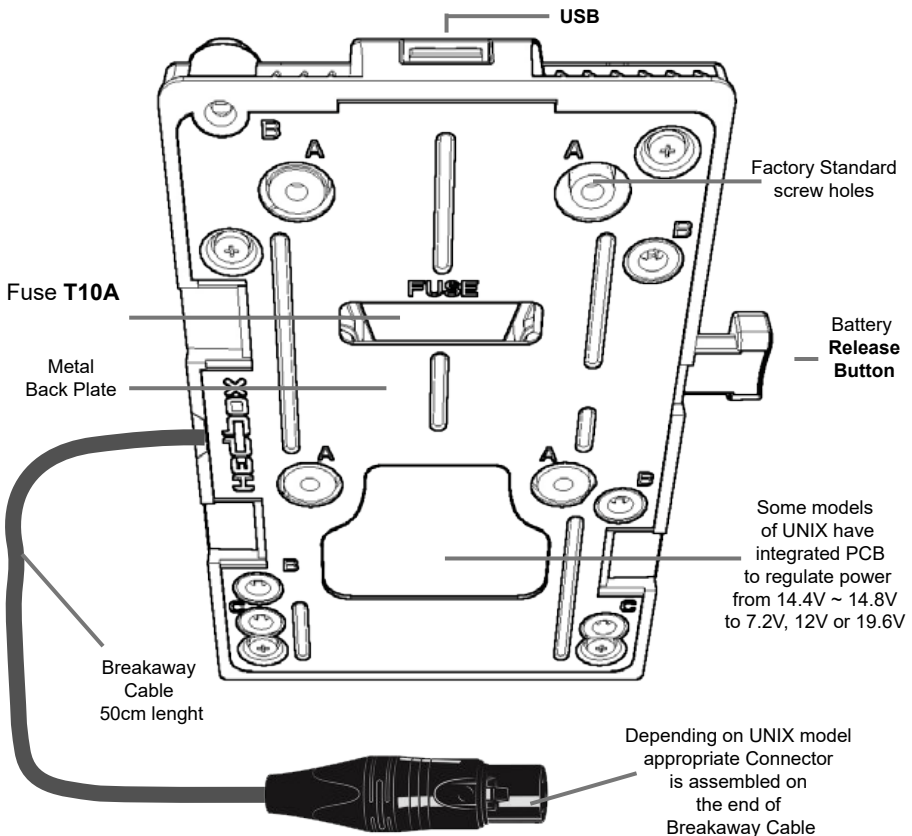


Use the UNIX adapter plate only with equipment according to Manual/Operating instructions recommendations.

## Breakaway DC cable

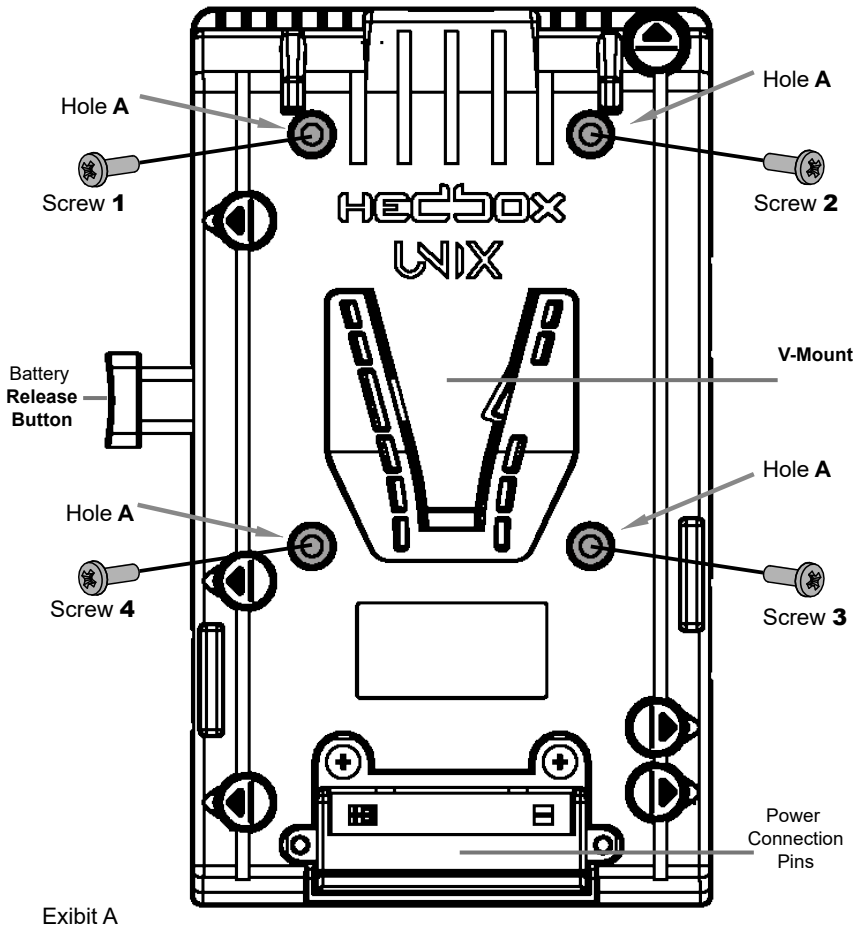
Various models of UNIX adaptor plates like UNIX-SO; UNIX-DC; UNIX-0B; UNIX-HY; UNIX-4X UNIX-1B; UNIX-0BL; UNIX-1BL; UNIX-1B4 are supplied with breakaway cable with installed appropriate connector, at the end of a 50cm long cable. With this breakaway DC power cable, UNIX can be used to power various cameras and devices in video and photo market. Those models of UNIX have integrated PCB to regulate power from installed battery pack on the plate from 14.4V ~ 14.8V to 7.2V, 12V or 19.6V.

To choose the right UNIX model for your use, please visit our website at [www.hedbox.com](http://www.hedbox.com).

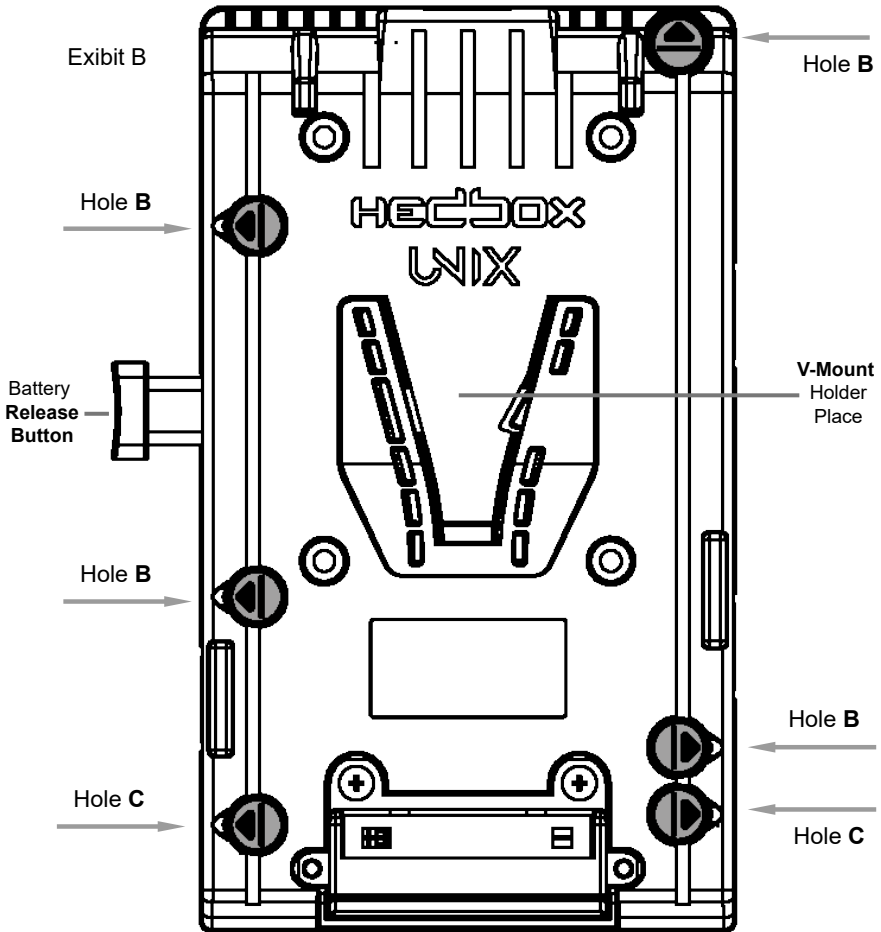


## Factory standard plate mounting

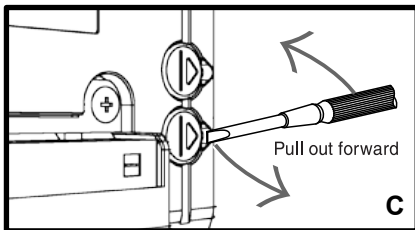
- UNIX is designed to be universal adapter plate that can be attached to any model of camera, camcorder, LED light, monitor or any other units.
- As a factory standard, UNIX is supplied with 4x screw holes shown on “Exhibit A”.
- Please use 4x M3 screw to securely fit the UNIX plate to the desired unit, on which the Adaptor Plate will be used accordingly. In the box, UNIX is supplied with 4 x M3x12 screws.



*Extra holes plate mounting*



How to remove Plastic Cover Cap



- To use UNIX with other products that require other hole layouts, please use Hole B or Hole C shown on "Exhibit B" to firmly fit the plate to the designed products.
- Remove the plastic cover cap, shown on "Exhibit C".
- Please use 4 x M3 screw to securely fit the UNIX plate to the desired unit, on which the Adaptor Plate will be used accordingly.
- The Box of UNIX is supplied with 4 x M3x12 screws.

## *3x D-Tap and 1x USB-A power Out*

- 3x D-Tap DC Power Output 14.8V DC / 8A / 100W
- 1x USB-A 5V / 2.1A / 10W
- Keep D-Tap and USB Power socket clean from dust
- Three D-taps allow extra powering for cameras, on board recorders, LED lights, monitors, remote follow focus, wireless transition systems, etc.
- The USB 5V/2.1A output can be used to power any external USB electronic devices.
- This function allows you to use the Unix V-lock plate like a power station to charge your cell phone, tablet, or any other electronic device that can be powered with USB 5V power.

## *Caution*

- Worldwide use with any of V-Mount 14.4V battery packs.
- Passed MBTR 5000H test and owns patent with a more reliable quality warranty.
- Safety protection: Over-current protection gets at 10A.
- Specially designed for use on all Hedbox battery packs.
- Don't try to disassemble or open the cover under any circumstance to avoid danger.
- The UNIX plate will be damaged if not used properly.
- Children should use it under the supervision of adults.
- It's common for the unit to feel warm when using.
- This device is for indoor use only; don't use it in high temperatures and high moisture environments.
- Avoid dropping and bumping; otherwise, the electrical components will be damaged.
- After inserting the battery pack onto the plate holder, be sure that the battery firmly locks.
- Please check that the V-Mount Battery pack is compatible with UNIX voltage and current.
- Please use the manual instructions for the battery pack that you want to install on the plate.
- Read that manual carefully before using the battery with UNIX plate.
- Don't try to disassemble or open the cover under any circumstance to avoid danger.
- We are not responsible for any damage caused by incorrect use or operation.
- Never short-circuit the adaptor plate power terminals.
- Do not use UNIX plate near water.
- When the UNIX plate is unused, please unplug the battery to prevent an accident.
- Use UNIX plate only with a 14.4V V-Mount battery pack

## Caution in use

- Avoid mechanical shock.
- Never expose the power plate to rain or moisture.
- Keep away from children.
- Never expose the power plate to temperatures above 60°C (140°F)
- Please consult the store where you purchased this power plate or your sales representative before using the power plate in a product whose Operation Manual Operating Instruction does not explicitly state that the power plate can be used or before using the power plate in conjunction with another power supply. Inappropriate use of the power plate may result in unit misoperation.
- A large discharge amount may accelerate the deterioration of the power plate power wiring.
- To prevent this, use the battery pack with a discharger amount of about 8 A or less.
- The maximum discharge amount is 10 A for this model of power plate at 23°C (73°F).
- Continuous use at levels beyond the maximum discharge level may cause the protection circuit to shut off the current to protect the internal electronic structure.

## Specification

Battery Type Support:	<b>Battery</b> 14.4V ~ 14.8V
Mount Type:	<b>V-Mount</b>
<b>D-Tap</b> Output 1:	DC 12V ~ 16.8V / 10A / 148W (Max)
<b>D-Tap</b> Output 2:	DC 12V ~ 16.8V / 10A / 148W (Max)
<b>D-Tap</b> Output 3:	DC 12V ~ 16.8V / 10A / 148W (Max)
<b>USB-A</b> Output:	DC 5V / 2.1A / 10W (Max)
Mounting Method:	Screw M3 (8mm)
Operating Temperature:	-20°C to +45°C (-4°F to +113°F)
Dimensions (WxDxH):	146 x 102 x 26 mm
Net Weight:	185g

- Design and specifications are subject to change without notice.

If you want to know more about HEDBOX Products please visit our website: [www.hedbox.com](http://www.hedbox.com)

# HEDBOX



**Note:**

Always ensure that the unit is operating properly before use.

HEDBOX WILL NOT BE LIABLE FOR DAMAGES OF ANY KIND INCLUDING, BUT NOT LIMITED TO, COMPENSATION OR REIMBURSEMENT ON ACCOUNT OF THE LOSS OF PRESENT OR PROSPECTIVE PROFITS DUE TO FAILURE OF THIS UNIT, EITHER DURING THE WARRANTY PERIOD OR AFTER EXPIRATION OF THE WARRANTY, OR FOR ANY OTHER REASON WHATSOEVER.

**[www.hedbox.com](http://www.hedbox.com)**





# HECbox

We Power Your Bussines



HED-BPU



NINA



NERO Series



BATTERY CHARGERS



**RP-VB078**



**HED-A60**



**RP-BP975**



**UNIX**



**RP-LPE6H**



**HOLD II**



**4CH CHARGER**