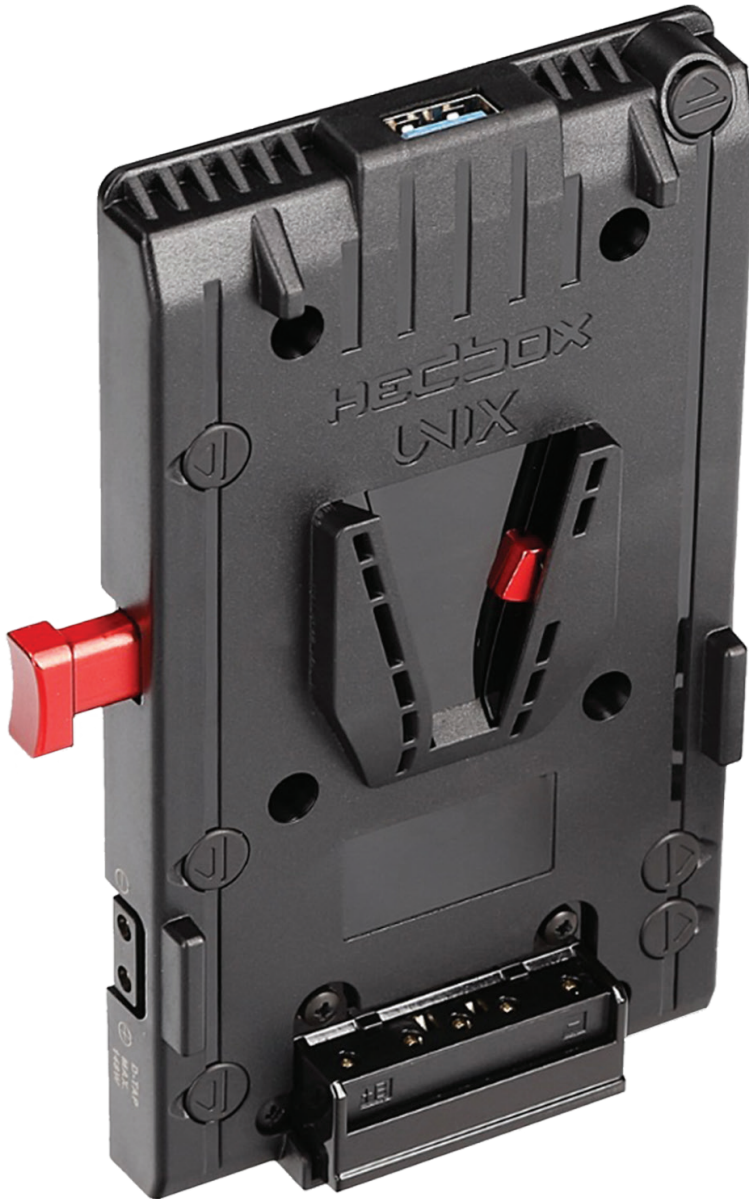
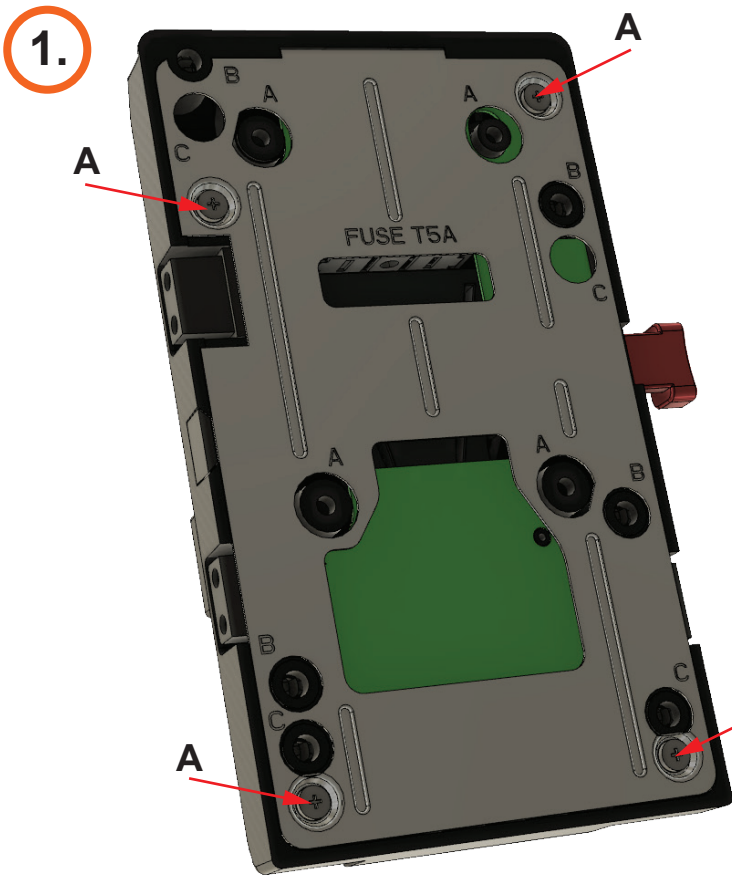


## SERVICE MANUAL

### Internal Fuse Change



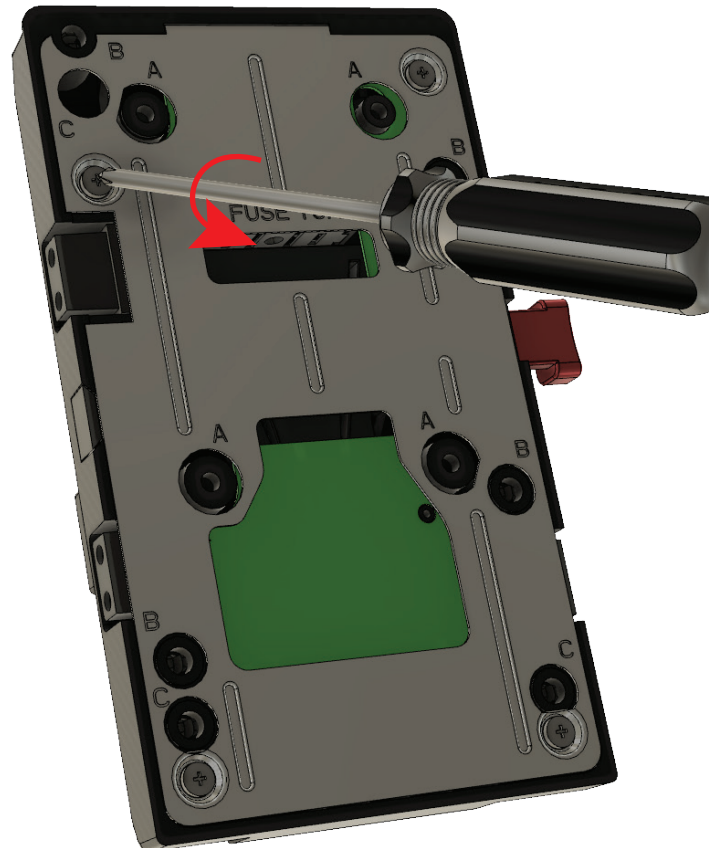


On the back of the UNIX Plate, locate the 4 screws 2x4mm (On illustration they are marked as letter A).

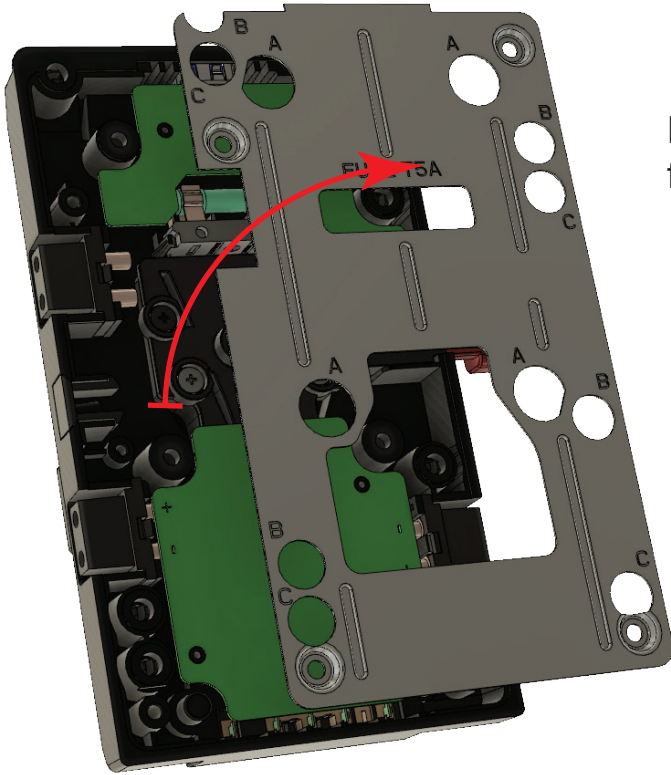
2.

Use PHILLIPS  Screwdriver appropriate size 1.

Unscrew all four (A 2x4mm) screws from the back of the UNIX plate. After unscrewing remove the screws that hold the Metal Back Plate support.



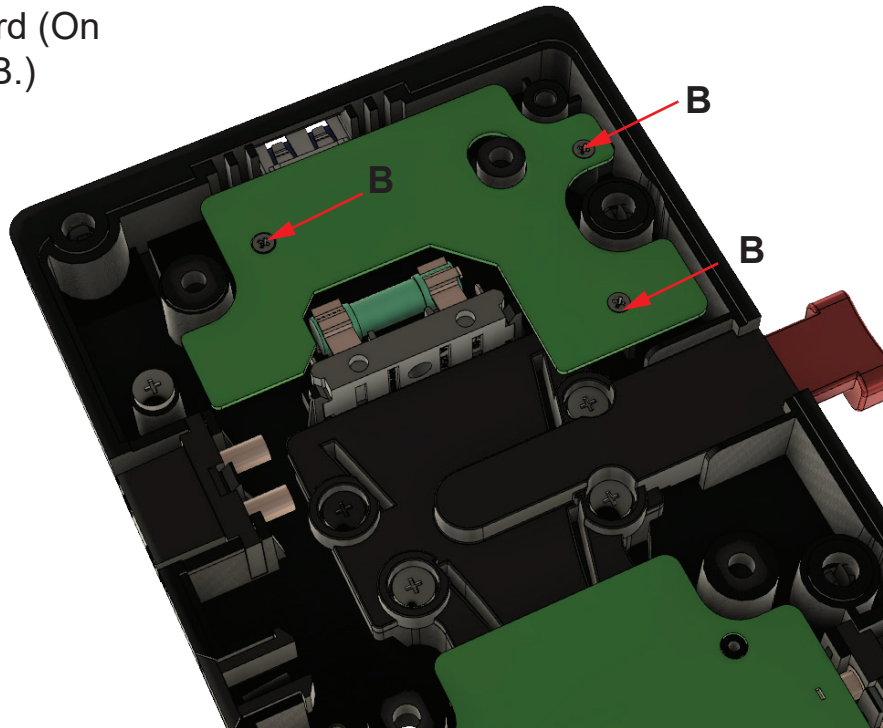
3.



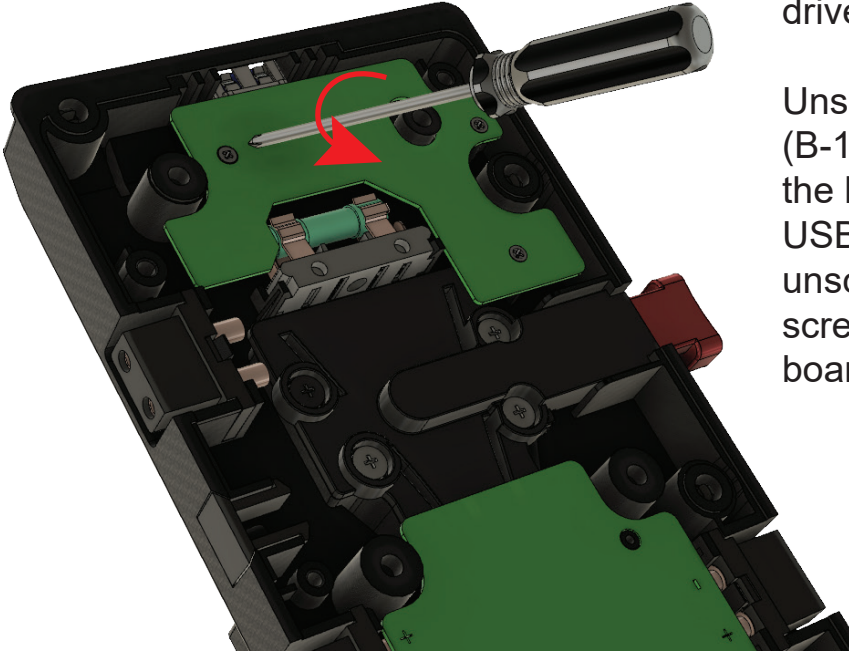
Remove the metal back plate from the UNIX body.

4.

Locate the 3 screws on the internal USB PCB board (On illustration marked as B.)



5.

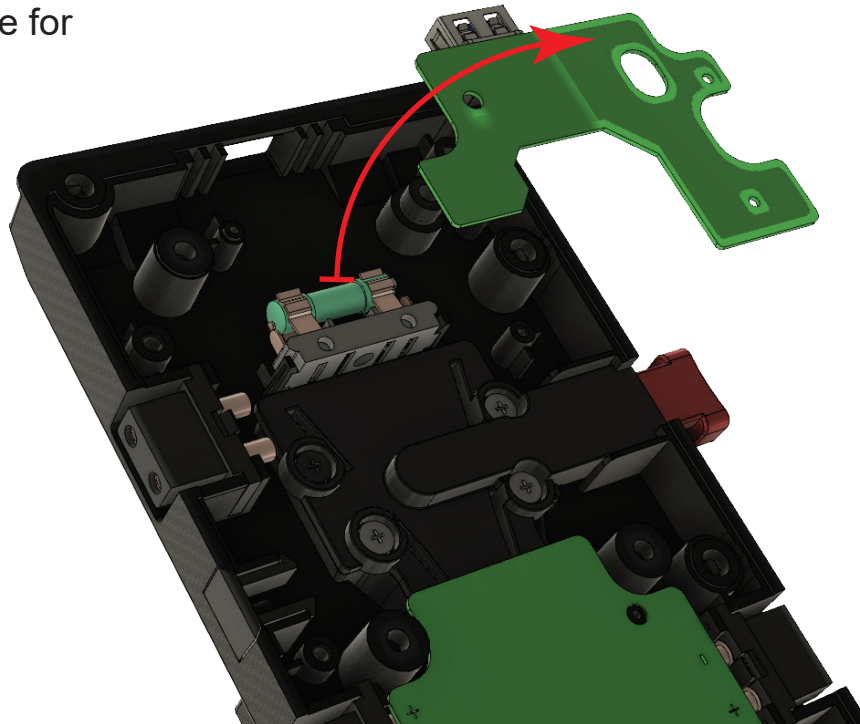


Use PHILLIPS  Screwdriver appropriate size 0.5

Unscrew all three (B-1.5x3mm) screws from the back of the internal USB PCB board. After unscrewing remove the screws that hold the PCB board on the UNIX body.

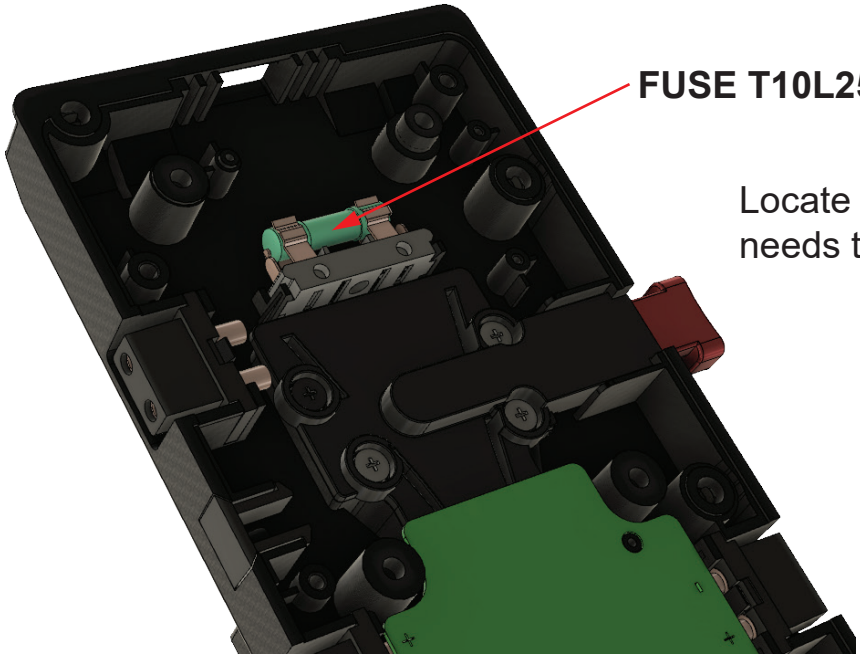
6.

Remove internal USB PCB board, to clear the space for fuse changing.





7.



**FUSE T10L250V**

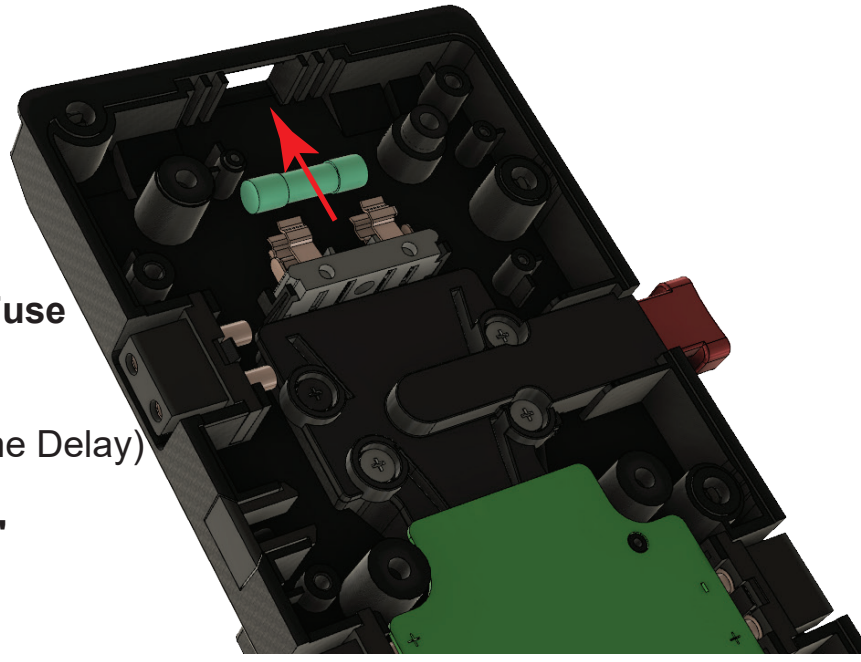
Locate the dead fuse that needs to be changed.

8.

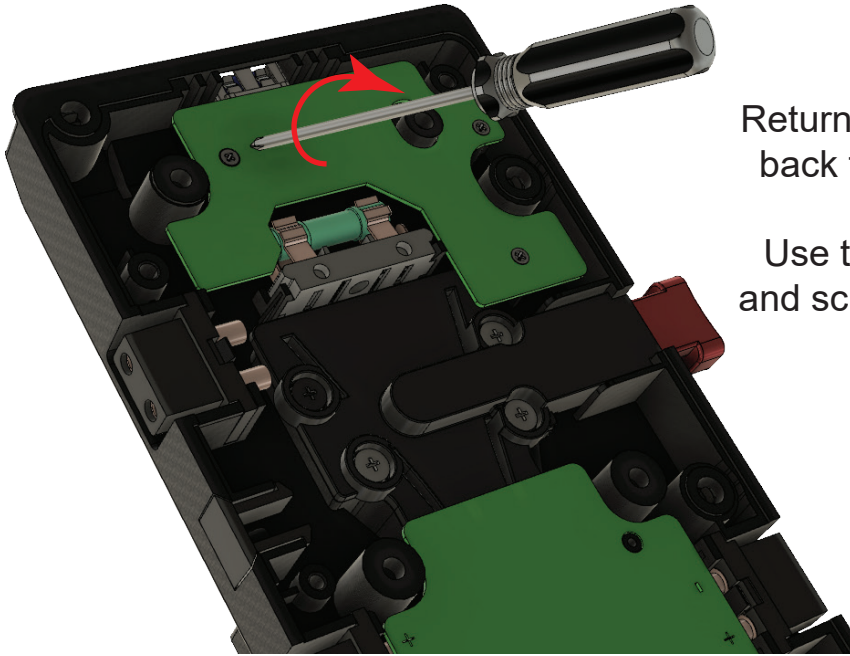
Remove the dead fuse from the internal fuse holder, by moving it upwards. To change the fuse use the next appropriate fuse models:

- **T10AL250V**
- **T10A250V**
- **T10L250V**

Fuse Tech. Specification:  
- Type: **Cartridge Glass Fuse**  
- Currency: **10A**  
- Voltage: **250V**  
- Method: **Slow Blow** (Time Delay)  
- Dimensions: **5X20mm**  
**3/16" x 3/4"**



9.



Return the internal USB PCB back to the original position.

Use the Phillips screwdriver and screw back (B 1.5x3mm) screws to their original position.

10.

Return the metal backplate to the original position on the UNIX body.

Use the Phillips screwdriver and screw back (A 2x4mm) screws to their original position.

